



3M™ Speedglas™ Welding Helmet 9100 FX Air

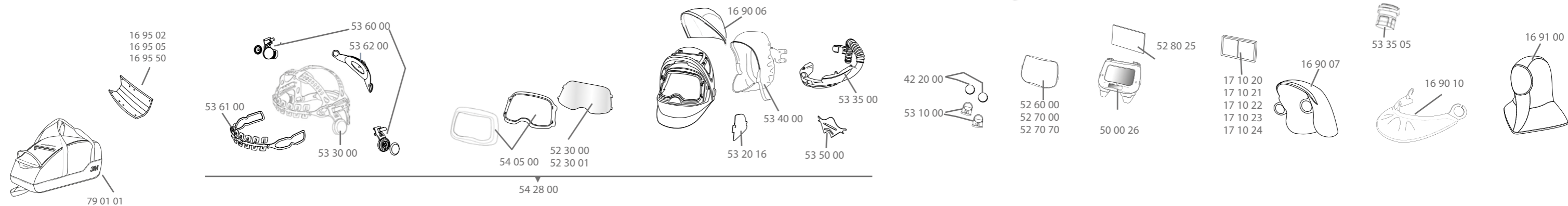
To optimise the effective lifetime of your welding equipment and avoid the additional cost of replacement, regular maintenance is important. Replace all damaged parts immediately to ensure correct levels of protection.

Before use

- Helmet and head harness. Inspect for cracks or any damaged or defective parts. Replace if needed.
- Cover lenses and visor. To provide the best possible vision they should be clean and without scratches.
- Face seal. If the face seal is damaged there is a great risk that contaminated air will get inside the helmet. Verify it's in position and free from splits and tears.
- Welding lens. Ensure low battery is not flashing and check that the sensors are clean and uncovered.
- Breathing tube. Confirm tube is not damaged or leaking any air. To extend the life of breathing tube, use a tube cover or a heavy-duty rubber tube.

After use

- Clean the helmet. Wipe with a moist tissue or cloth, both inside and outside the helmet. If you suspect that the inside of the airduct is dirty, it must be changed. DO NOT rinse, immerse in water or clean with solvents.
- Face seal and sweatband. Remove for additional cleaning as needed and replace if they become unhygienic.
- Cover lenses and visor plate. Clean with a soft cloth and replace if any pits or scratches occur.
- Breathing tube. Replace if damaged, deformed or leaking any air.
- Storage. Store the helmet in a dry, clean area away from direct sunlight, high temperatures and solvents.



Part No	Description	Part No	Description	Part No	Description	Part No	Description	Part No	Description
169006	HEAD COVER SMALL 9100 FX	171020	LENS MAGNIFYING 1.0X 9100 100 & 9000	523000	VISOR PLATE 9100 FX PK=5	532016	SIDEWINDOWS COVER PLATE 9100 FX PK=2	536100	HEAD HARNESS FRONT PART 9100
169007	HEAD COVER LARGE 9100 FX	171021	LENS MAGNIFYING 1.5X 9100 100 & 9000	523001	VISOR PLATE ANTI-FOG 9100 FX PK=5	533000	HEAD HARNESS 9100	536200	HEAD HARNESS BACK PART 9100
169010	THROAT PROTECTION 9100	171022	LENS MAGNIFYING 2.0X 9100 100 & 9000	526000	LENS COVER OUTER STD 9100 PK=10	533500	AIR DUCT ASSEMBLY 9100 FX AIR	540500	FRONT COVER KIT 9100 FX
169100	HEAD CAPE TECAWELD	171023	LENS MAGNIFYING 2.5X 9100 100 & 9000	527000	COVER LENS OUTER HC 9100 PK=10	533505	ADAPTOR ADFLO BREATHING TUBE 9100 FX AIR	542800	HELMET WELDING 9100 FX AIR EXC LENS
169502	SWEATBAND 9100 & 9100 FX PK=2	171024	LENS MAGNIFYING 3.0X 9100 100 & 9000	527070	LENS COVER OUTER HT 9100 PK=10	534000	FACE SEAL 9100 FX AIR	790101	CARRY BAG SPEEDGLAS
169505	SWEATBAND 9100 & 9100 FX PK=5	422000	BATTERY LITHIUM 9100, 100 & 9000 PK=2	528025	LENS COVER INNER 9100XX PK=5	535000	AIR DEFLECTOR 9100 FX AIR		
169550	SWEATBAND 9100 & 9100 FX PK=50	500026	LENS WELDING 9100XXi SPEEDGLAS	531000	HOLDER BATTERY 9100	536000	HEAD HARNESS PIVOT MECHANISM 9100		

ABN 21 060 672 979

TOOWOOMBA WELDING SUPPLIES

Ph: 07 4659 0044
500 Boundary Street, Toowoomba QLD 4350
E: sales@tweld.com.au | www.tweld.com.au

We deliver on time ... EVERYTIME
We are an Australian locally owned family business

Further information and advice

To request a quote or place an order for spare parts, please contact TWS on +61 (0) 7 4659 0044 or visit www.tweld.com.au. Please note that higher than normal levels of pollutants, heat and sparks will require more frequent replacement of components. If you require additional guidance, please check the care and maintenance videos on our YouTube Channel (www.youtube.com/user/3MSpeedglas) or contact your local TWS representative.

3M™ Adflo™ Powered Air Respirator

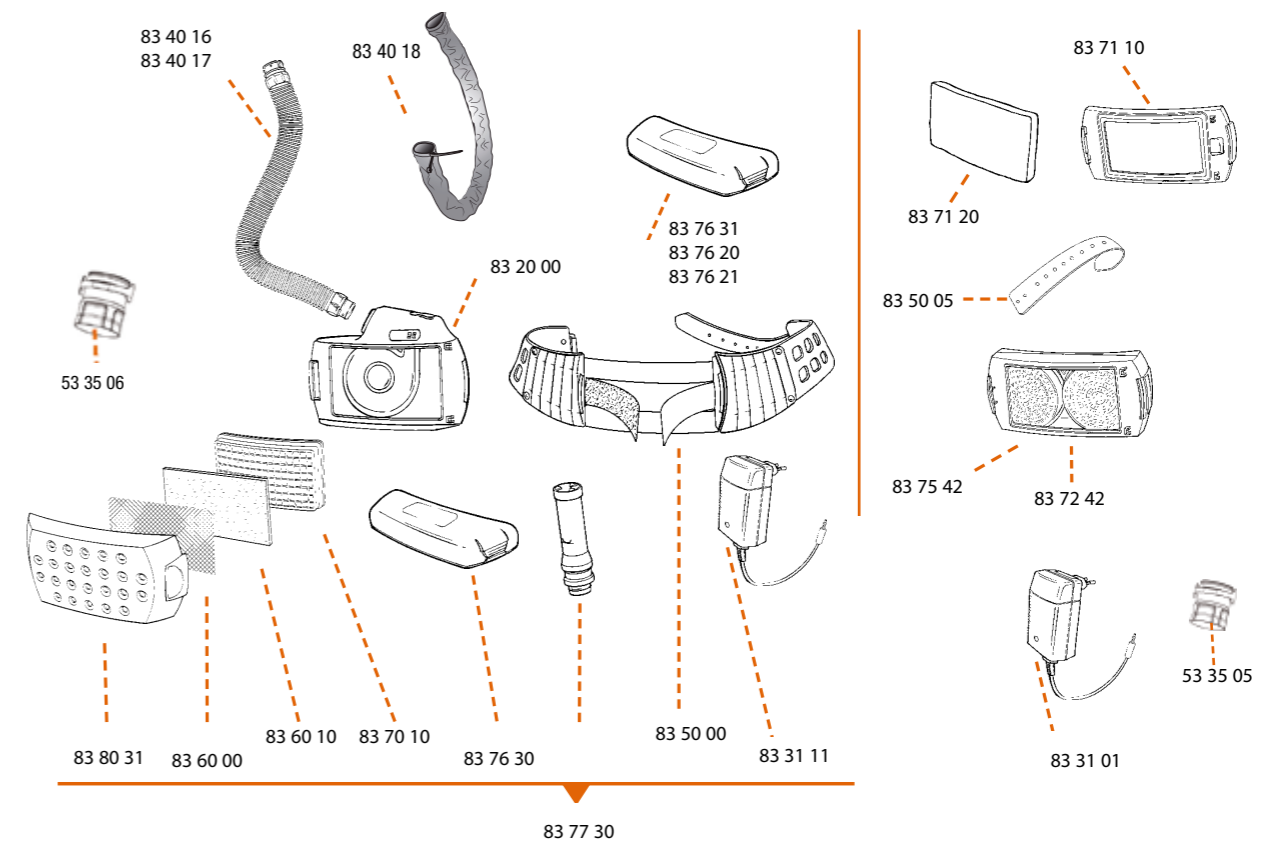
To optimise the effective lifetime of your welding equipment and avoid the additional cost of replacement, regular maintenance is important. Replace all damaged parts immediately to ensure correct levels of protection.

Before use

- **Battery.** Ensure that it's adequately charged and fitted correctly.
- **Motor Body.** Inspect the unit for damage and ensure it's firmly fixed to the belt. Ensure filters are correctly fitted.
- **Breathing tube.** Inspect the tube and connections to ensure they are free from splits and holes. Replace if damaged, deformed or leaking any air. To extend the life of the breathing tube, use a tube cover or the heavy-duty rubber breathing tube.
- **Air flow check.** Fit the breathing tube to the unit and attach the airflow meter in the other end of the tube and switch on the Adflo PAPR. If the ball does not rise above the line, continue fault finding.
- **Alarm check.** Cover the air outlet of the airflow meter with your hand until an audible warning is heard and the red indicator illuminates. Remove your hand. The alarm should now stop.

After use

- **Clean the equipment.** Wipe the motor body with a moist tissue or cloth. If you suspect that the inside of the breathing tube is dirty, it must be changed. DO NOT rinse, immerse in water or clean with solvents. DO NOT attempt to remove contamination of filters as this will damage the filters and void the warranty.
- **Replace damaged parts.** Replace all damaged parts to guarantee the proper functioning of the respirator. Worn out components should be disposed of according to local regulations.
- **Spark arrestor.** Replace if deformed and no longer fitting well.
- **Prefilter.** Replace regularly to extend the life of the particle filter. This will save money and also extend the battery run-time.
- **Particle filter.** Check the filter indicator position and replace if the red LED is lit. Otherwise, replace whenever the battery operating time becomes too short, or when "fully loaded" filter triggers low airflow alarm.
- **Gas filter.** Replace the gas filter according to your work place requirements. Do not wait until you can sense odours or smells.
- **Odour filter.** Replace any time you smell unpleasant odours. Odour filter is not required if gas filter is used.
- **Storage.** Put the battery/turbo unit on charge after use. When stored, recharge every six months. Store the unit in a dry, clean area away from direct sunlight, high temperatures and solvents. For example use the Adflo storage bag.



Part No	Description	Part No	Description	Part No	Description	Part No	Description
533505	ADAPTOR ADFLO BREATHING TUBE 9100 FX AIR	834017	TUBE BREATHING HEAVY DUTY RUBBER QRS ADFLO	837110	FILTER ODOUR ADFLO	837631	BATTERY HEAVY DUTY LI-ION ADFLO
533506	ADAPTOR QRS BREATHING TUBE TO 9000	834018	TUBE BREATHING COVER FLAME RESISTANT ADFLO	837120	FILTER ODOUR REPLACEMENT PAD ADFLO	837730	RESPIRATOR STANDARD LI-ION ADFLO
832000	PAPR MOTOR WITH HOUSING ADFLO	835000	BELT ADFLO	837242	FILTER NUIS LEVEL ORGANIC VAPOUR/ACID GAS	837731	RESPIRATOR HEAVY DUTY LI-ION ADFLO
833101	CHARGER BATTERY NIMH ADFLO	835005	BELT EXTENSION ADFLO	837542	ADFLO FILTER GAS A1 ADFLO	838031	FILTER COVER LI-ION ADFLO
833111	CHARGER BATTERY LI-ION ADFLO	836000	SPARK ARRESTOR ADFLO	837620	BATTERY STANDARD NIMH ADFLO		
833709	BATTERY MULTI-STATION ADFLO	836010	PRE-FILTER ADFLO PK=5	837621	BATTERY HEAVY DUTY NIMH ADFLO		
834016	TUBE BREATHING SELF ADJUSTING QRS ADFLO	837010	FILTER PARTICLE PSL ADFLO	837630	BATTERY STANDARD LI-ION ADFLO		

ABN 21 060 672 979

TOOWOOMBA WELDING SUPPLIES

Ph: 07 4659 0044
500 Boundary Street, Toowoomba QLD 4350
E: sales@tweld.com.au | www.tweld.com.au

We deliver on time ... EVERYTIME

We are an Australian locally owned family business

Further information and advice
To request a quote or place an order for spare parts, please contact TWS on +61 (0) 7 4659 0044 or visit www.tweld.com.au. Please note that higher than normal levels of pollutants, heat and sparks will require more frequent replacement of components. If you require additional guidance, please check the care and maintenance videos on our YouTube Channel (www.youtube.com/user/3MSpeedglas) or contact your local TWS representative.